

MM-0325C-2L

Heavy Duty Industrial Purpose,
300bps ~ 2400bps 2W Leased-line
Chadol-Modem™

FEATURES

General Features

- Compact sized industrial CHADOL-MODEM™ Series
- Maximized reliability with supervisor function
- 5.0KV Isolated DAA
- Fully compatible with ITU-T V.22bis
- 2Wire leased line, full duplex operation
- 300bps to 2400bps data speed (Async.)
- AT command mode and AUTO connect mode
- Async. serial mode TTL interface
- Fully molded structure for maximize environmental adaptation
- Easy replaceable structure for easy repair

Special Features

- External hardware reboot input pin for escape from malfunction (TTL input signal.)
- 3-stage LINE surge protection structure
- DC Power input surge protection(TVSS)
- Power on reset function included
- Supervisor function embedded
- Watchdog function included
- Single DC power operation
(+5V single DC power input)
- Flame retardant case (난연성 외함 적용)

SPECIFICATIONS

Compatibility

ITU-T V.22bis / V.22 / V.21 and
BELL 212A / BELL 103 Compatible

Data Speed & Encoding

- 2400bps : QAM : V.22bis
- 1200/600bps : DPSK : V.22 / BELL 212A
- 300bps : FSK : V.21 / BELL 103



Data Format

Asynchronous Serial
Data length : 8/9bit (with parity)
Parity mode : even/odd/none

DTE Interface

TTL Level Async. Serial Interface

LINE Requirement

2 Wire Leased Line or Direct Twist-Pair wire

Transmit Level

-10dBm (typ. @600 ohm)

Receive Dynamic Level

-10dBm ~ -43 dBm

Power

Single DC Source :+5V, 40mA (typical)

Physical Dimensions

: 79W x 42D x 16H (mm)

Weight

: 60g (typical)

Environmental

Temperature : -34 to 74 °C (Operating)
: -40 to 80 °C (Storage)

Relative humidity
: up to 95%

(non-condensing or condensing.)

DESCRIPTION

CHADOL-MODEM™ Series

CHADOL-MODEM™ 시리즈는 DCS, SCADA, ITS, TCS, CTC, General TMTC 등 산업용 제어 시스템 운용 현장에서, 다년간 통신 성능 및 신뢰성 향상을 위하여 노력하고 경험한 [MORU Industrial Systems]의 창의적 기술과 Know-How를 집약하여 탄생된, **새로운 개념의 Industrial Communication Equipment** 입니다.

특히 낙뢰, Surge, 화학, 열악한 온/습도 환경, 결로, 급격한 온도변화, AC 누설 전류 등으로 인한 수많은 Trouble, 그리고 기구적 거치 공간 및 거치 방법의 문제 등을 해결하기 위하여, 기존 일반용 통신장치의 설계 관행 일체를 탈피하고, **다만 산업용 시스템의 현장 상황에 근거한 Concept을 새로이 정립하여 설계한 [제어 전용 모델] 시리즈로서 몰드 형 ON-BOARD 착탈식 모델 시리즈**입니다.

고도로 강화된 낙뢰 서지 대응 수단과, 새로운 Supervisor 수단에 의거한 자율적 통신상태 평가 및 H/W Reboot 기능 등으로 최고 수준의 현장 신뢰성을 제공합니다.

INTERFACE PIN CONFIG.

**DTE Port pin config.(left side when top view)
(2x8=16Pin 2mm pitch PIN HEADER)**

	NAME	DESCRIPTION
1	VCC	+5V
2	GND	SIGNAL GROUND
3	TXD	Transmit Data (From DTE)
4	RXD	Receive Data
5	DCD	Data Carry Detect
6	CTS	Clear to Send
7	/EXRST	External H/W Reset input(Low:RST)
8	RTS	Request to Send
9	D/C	Do Not connect
10	D/C	Do Not connect
11	FS1	Function Select input 1
12	FS2	Function Select input 2
13	FS3	Function Select input 3
14	FS4	Function Select input 4
15	D/C	Do Not connect
16	/SFD	LOW: Supervisor Function Disable Float or High : Supervisor Enable

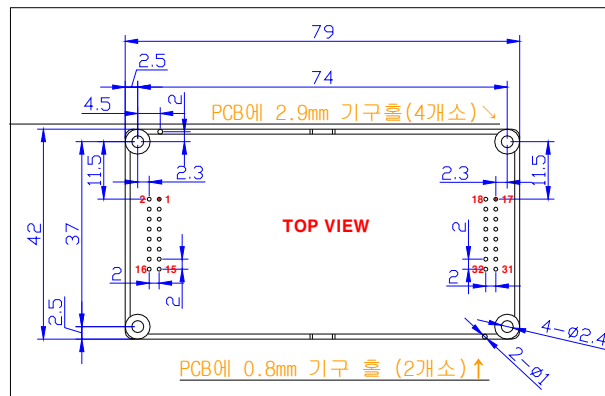
**LINE Port pin config.(right side when top view)
(2x8=16Pin 2mm pitch PIN HEADER)**

	NAME	DESCRIPTION
17	TIP	Leased line or direct wire
18		
19		
20	RING	Leased line or direct wire
21		
22		
23	n.c.	No connection.
24	n.c.	No connection.
25	F.G.	FRAME GROUND (Lightning Surge Return Pass to EARTH GROUND)
26	F.G.	
27	n.c.	
28	n.c.	
29	n.c.	No connection.
30	n.c.	No connection.
31	n.c.	No connection.
32	n.c.	No connection.

Function Select input (FS1~4) description

	NAME	DESCRIPTION	
FS1	FREQ. SELECT (@ auto mode)	ON	Answer mode
		OFF	Call mode
FS2	Connect Mode	ON	Auto Connect
		OFF	AT Command
FS3	-	reserved	
FS4	-	reserved	

DETAIL DIMENSION



ORDER INFORMATION

#	MODEL NAME	SPECIFICATION	Availability
1	MM-0325C-2L	300/2400bps 2W Leased line CHADOL-MODEM™	NOW

* 성능 향상을 위하여, 예고 없이 제품 사양이 변경될 수 있습니다.